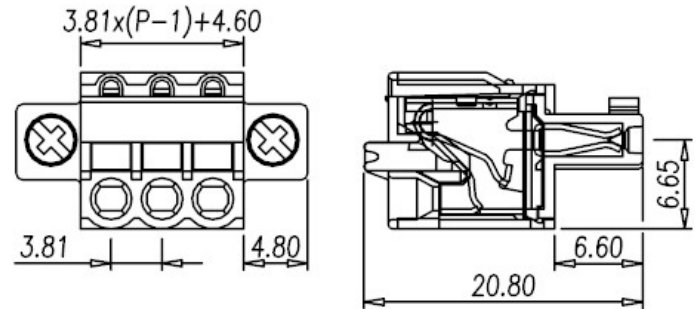
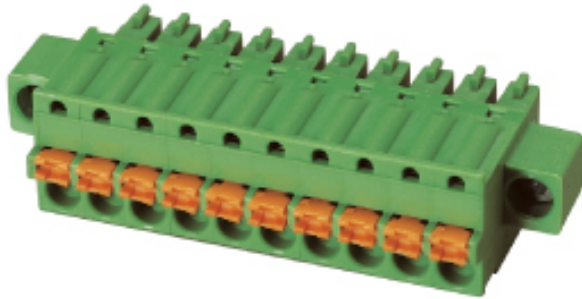



## ESC381VM



Pitch: 3.81mm

Approval		
Technical Data	UL	IEC
Rated voltage	300V	130V
Rated current	8A	8A
Wire range		1.5mm <sup>2</sup>
Solid wire (AWG)	28-16	
Stranded wire (AWG/mm <sup>2</sup> )	28-16	
Rated surge voltage (UL/IEC/Max.)	1.6 / 1.25 / KV	
Torque (Lb-in)		
Screw		
Wire strip length	7~8mm	
Pole	Cat. No.	
02	ESC381VM-02P	
:	:	
:	:	
20	ESC381VM-20P	