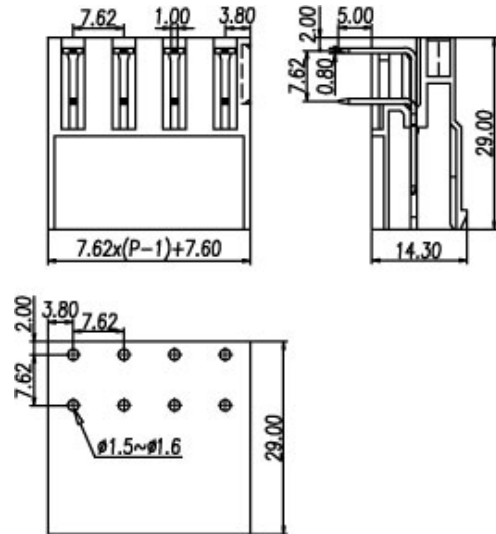
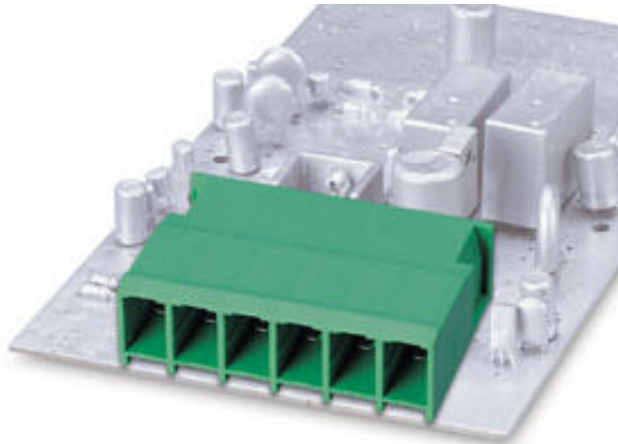


Headers(Sockets) for pluggable terminal blocks / ECH & EHD series



ECH762R



Pitch: 7.62mm

Approval		
Technical Data	UL	IEC
Rated voltage	300V	450V
Rated current	30A	20A
Wire range		
Solid wire (AWG)		
Stranded wire (AWG/mm ²)		
Rated surge voltage (UL/IEC/Max.)	1.6 / 2.5 / KV	
Torque (Lb-in)		
Screw		
Wire strip length		
Pole	Cat. No.	
02	ECH762R-02P	
:	:	
:	:	
12	ECH762R-12P	