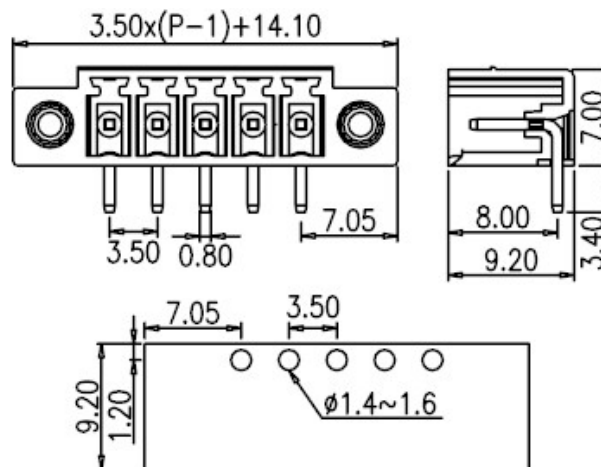
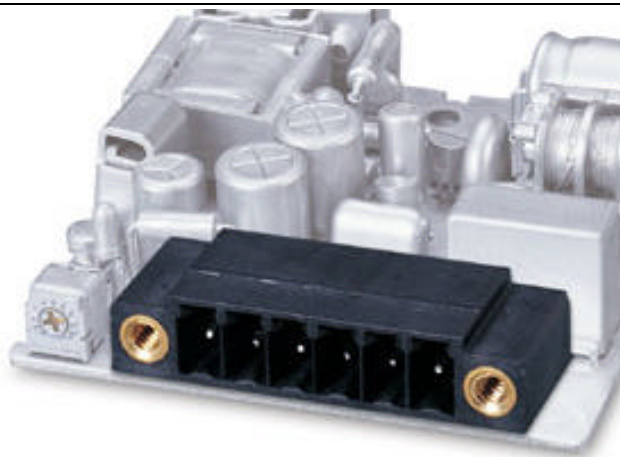


## ECH350RM-..PTHT



**Pitch: 3.50mm**

Approval	<Pending>	
Technical Data	UL	IEC
Rated voltage	300V	130V
Rated current	8A	8A
Wire range		
Solid wire (AWG)		
Stranded wire (AWG/mm <sup>2</sup> )		
Rated surge voltage (UL/IEC/Max.)	1.6 / 1.25 / 3 KV	
Torque (Lb-in)		
Screw		
Wire strip length		
Pole	Cat. No.	
02	ECH350RM-02PTHT	
:	:	
:	:	
24	ECH350RM-24PTHT	