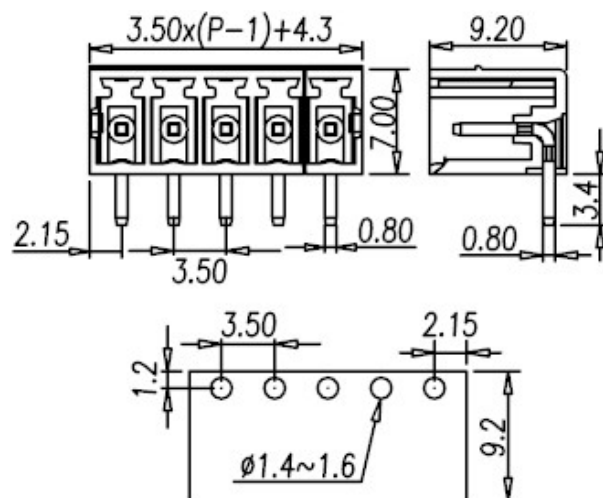
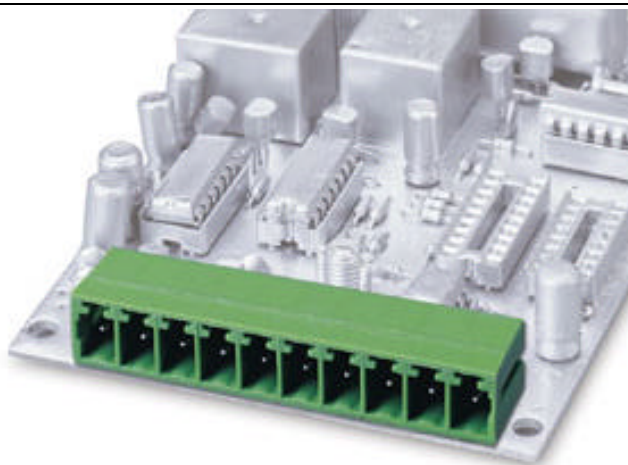




ECH350R



Pitch: 3.50mm

| Approval | | |
|--------------------------------------|-------------------|------|
| Technical Data | UL | IEC |
| Rated voltage | 300V | 130V |
| Rated current | 8A | 8A |
| Wire range | | |
| Solid wire (AWG) | | |
| Stranded wire (AWG/mm ²) | | |
| Rated surge voltage (UL/IEC/Max.) | 1.6 / 1.25 / 3 KV | |
| Torque (Lb-in) | | |
| Screw | | |
| Wire strip length | | |
| Pole | Cat. No. | |
| 02 | ECH350R-02P | |
| : | : | |
| : | : | |
| 24 | ECH350R-24P | |