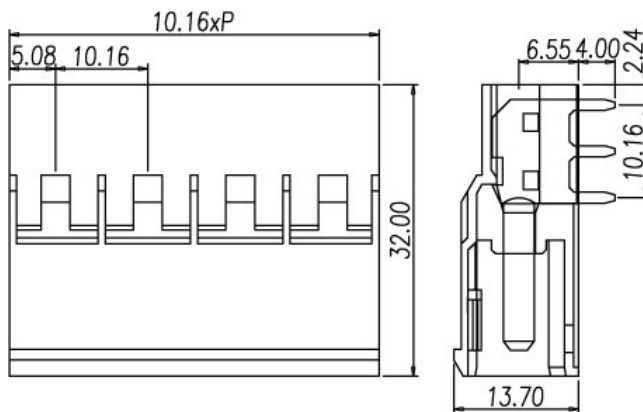
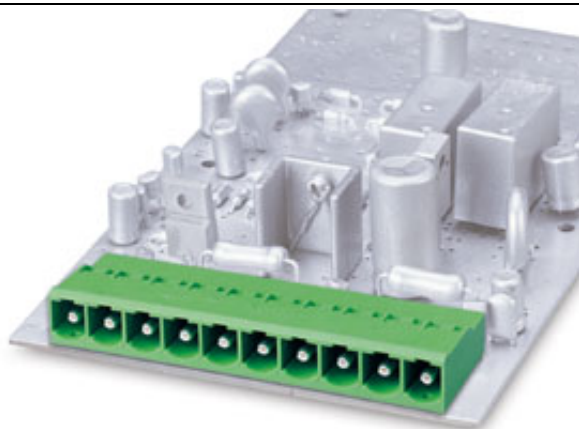


# Headers(Sockets) for pluggable terminal blocks / ECH & EHD series



## ECH116R



### Pitch: 10.16mm

Approval		
Technical Data	UL	IEC
Rated voltage	300V / 600V	750V
Rated current	51A / 5A	76A
Wire range		
Solid wire (AWG)		
Stranded wire (AWG/mm <sup>2</sup> )		
Rated surge voltage (UL/IEC/Max.)	2.2 / 3 / KV	
Torque (Lb-in)		
Screw		
Wire strip length		
Pole	Cat. No.	
02	ECH116R-02P	
:	:	
:	:	
10	ECH116R-10P	