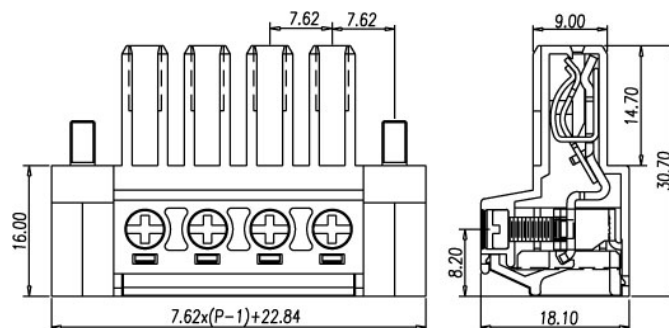




## EC762VNM



**Pitch: 7.62mm**

Approval		
Technical Data	UL	IEC
Rated voltage	300V	800V
Rated current	30A	32A
Wire range		4mm <sup>2</sup>
Solid wire (AWG)	30~10	
Stranded wire (AWG/mm <sup>2</sup> )	30~10	
Rated surge voltage (UL/IEC/Max.)	1.6 / 3.5 / KV	
Torque (Lb-in)	6	
Screw	M3	
Wire strip length	7~8mm	
Pole	Cat. No.	
02	EC762VNM-02P	
:	:	
:	:	
12	EC762VNM-12P	