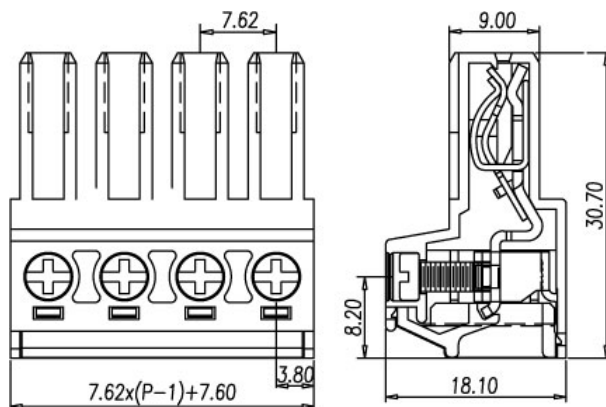




EC762VN



Pitch: 7.62mm

Approval		
Technical Data	UL	IEC
Rated voltage	300V	800V
Rated current	30A	32A
Wire range		4mm ²
Solid wire (AWG)	30~10	
Stranded wire (AWG/mm ²)	30~10	
Rated surge voltage (UL/IEC/Max.)	1.6 / 3.5 / KV	
Torque (Lb-in)	6	
Screw	M3	
Wire strip length		
Pole	Cat. No.	
02	EC762VN-02P	
:	:	
:	:	
12	EC762VN-12P	