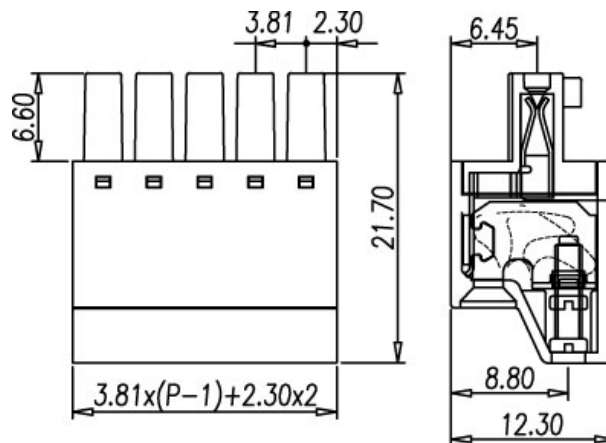
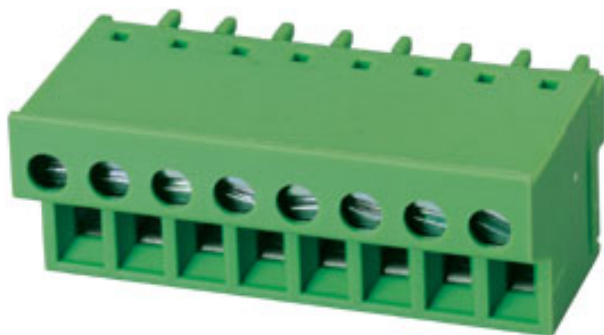



EC381F

Pitch: 3.81mm

Approval		
Technical Data	UL	IEC
Rated voltage	300V	130V
Rated current	8A	8A
Wire range		1.5mm ²
Solid wire (AWG)	30~16	
Stranded wire (AWG/mm ²)	30~16	
Rated surge voltage (UL/IEC/Max.)	1.6 / 1.25 / 3 KV	
Torque (Lb-in)	2.5	
Screw	M2	
Wire strip length	6~7mm	
Pole	Cat. No.	
02	EC381F-02P	
:	:	
:	:	
24	EC381F-24P	