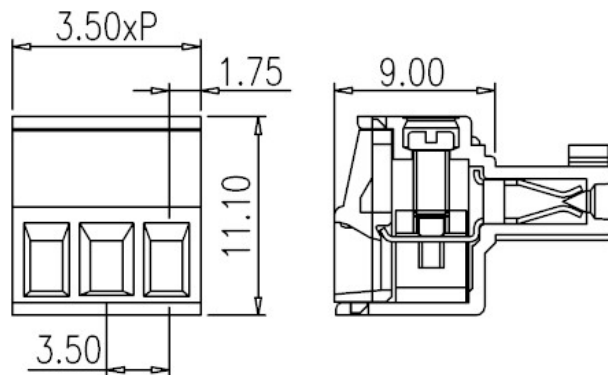




**EC350V**



**Pitch: 3.50mm**

Approval		
Technical Data	UL	IEC
Rated voltage	300V	130V
Rated current	8A	8A
Wire range		1.5mm <sup>2</sup>
Solid wire (AWG)	28~14	
Stranded wire (AWG/mm <sup>2</sup> )	28~14	
Rated surge voltage (UL/IEC/Max.)	1.6 / 1.25 / 3 KV	
Torque (Lb-in)	1.7	
Screw	M2	
Wire strip length	6~7mm	
Pole	Cat. No.	
02	EC350V-02P	
:	:	
:	:	
24	EC350V-24P	