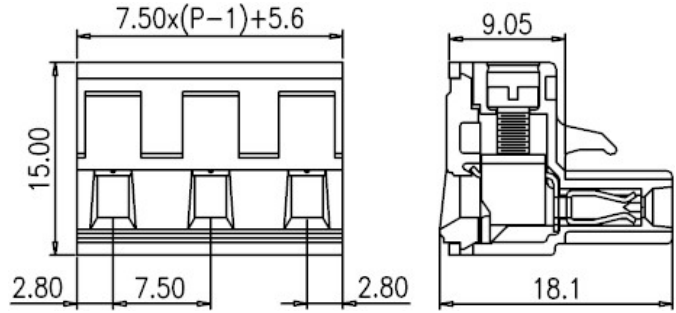






**7ESDV**



**Pitch: 7.50mm**

Approval	 	
Technical Data	UL	IEC
Rated voltage	300V	750V
Rated current	15A	17.5A
Wire range		1.5mm <sup>2</sup>
Solid wire (AWG)	28~12	
Stranded wire (AWG/mm <sup>2</sup> )	30~12	
Rated surge voltage (UL/IEC/Max.)	1.6 / 3 / 5 KV	
Torque (Lb-in)	4.5	
Screw	M2.5	
Wire strip length	7~8mm	
Pole	Cat. No.	
02	7ESDV-02P	
:	:	
:	:	
12	7ESDV-12P	