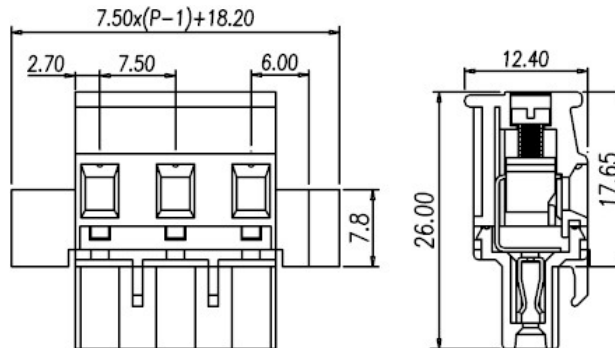






7ESDPLM



Pitch: 7.50mm

Approval	 	
Technical Data	UL	IEC
Rated voltage	300V	750V
Rated current	15A	17.5A
Wire range		1.5mm ²
Solid wire (AWG)	28~12	
Stranded wire (AWG/mm ²)	30~12	
Rated surge voltage (UL/IEC/Max.)	1.6 / 3.5 / 5 KV	
Torque (Lb-in)	4.5	
Screw	M2.5	
Wire strip length	7~8mm	
Pole	Cat. No.	
02	7ESDPLM-02P	
:	:	
:	:	
11	7ESDPLM-11P	