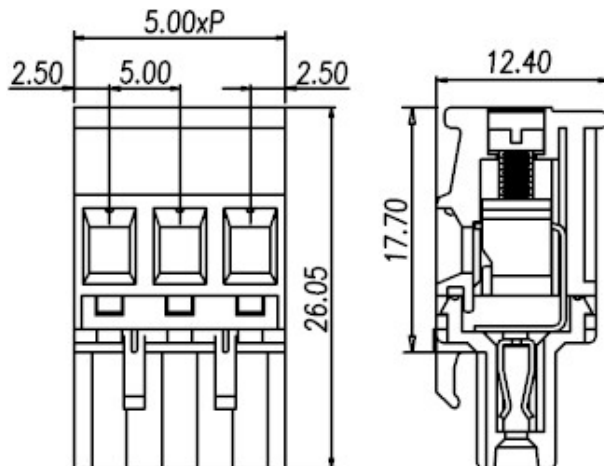






**5ESDP**



**Pitch: 5.00mm**

Approval	 	
Technical Data	UL	IEC
Rated voltage	300V	250V
Rated current	15A	17.5A
Wire range		1.5mm <sup>2</sup>
Solid wire (AWG)	28~12	
Stranded wire (AWG/mm <sup>2</sup> )	30~12	
Rated surge voltage (UL/IEC/Max.)	1.6 / 2 / 3 KV	
Torque (Lb-in)	4.5	
Screw	M2.5	
Wire strip length	7~8mm	
Pole	Cat. No.	
02	5ESDP-02P	
:	:	
:	:	
24	5ESDP-24P	