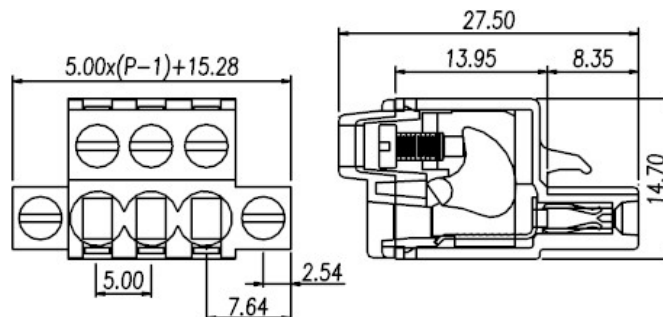






5ESDFM



Pitch: 5.00mm

Approval	 	
Technical Data	UL	IEC
Rated voltage	300V	250V
Rated current	15A	17.5A
Wire range		1.5mm <sup>2</sup>
Solid wire (AWG)	28~12	
Stranded wire (AWG/mm <sup>2</sup> )	30~12	
Rated surge voltage (UL/IEC/Max.)	1.6 / 2 / 4 KV	
Torque (Lb-in)	4.3	
Screw	M2.5	
Wire strip length	9~10mm	
Pole	Cat. No.	
02	5ESDFM-02P	
:	:	
:	:	
24	5ESDFM-24P	