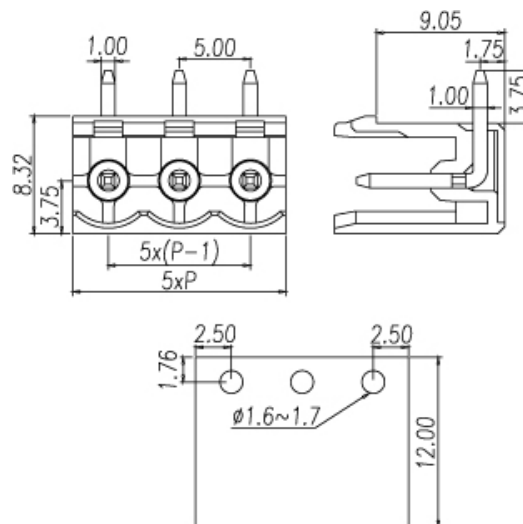
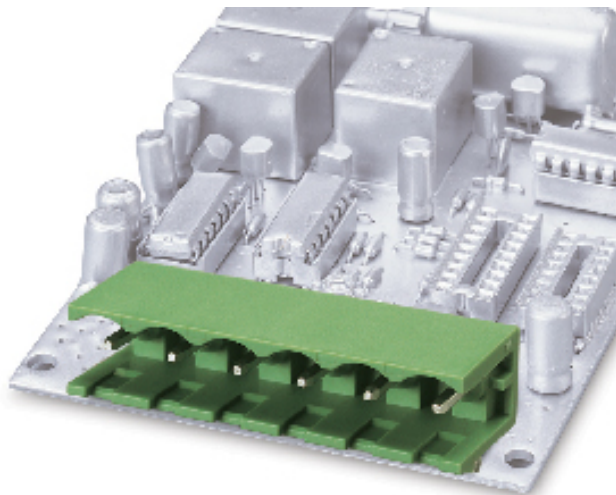


Headers(Sockets) for pluggable terminal blocks / ECH & EHD series



5EHDRR



Pitch: 5.00mm

Approval		
Technical Data	UL	IEC
Rated voltage	300V	250V
Rated current	15A	12A
Wire range		2.5mm ²
Solid wire (AWG)	24~12	
Stranded wire (AWG/mm ²)	24~12	
Rated surge voltage (UL/IEC/Max.)	1.6 / 2 / KV	
Torque (Lb-in)		
Screw		
Wire strip length		
Pole	Cat. No.	
02	5EHDRR-02P	
:	:	
:	:	
13	5EHDRR-13P	