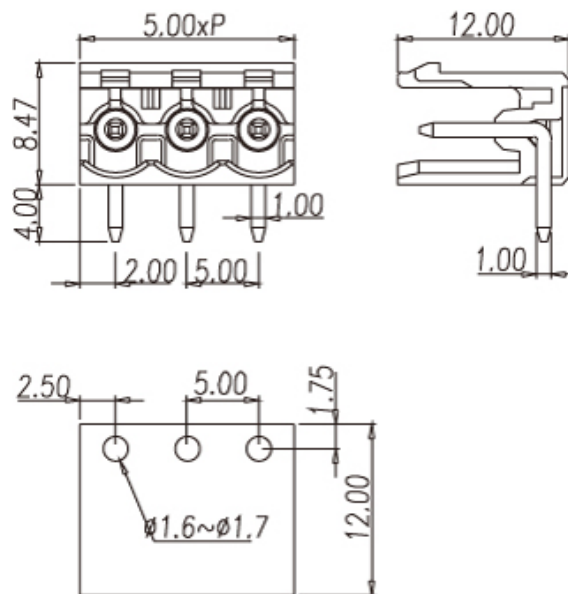
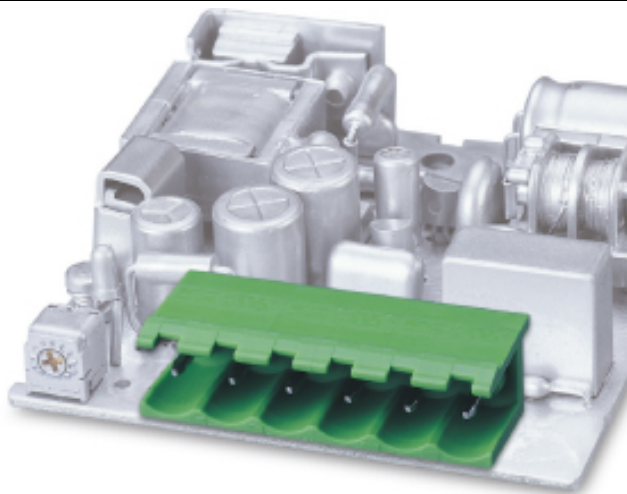





# Headers(Sockets) for pluggable terminal blocks / ECH & EHD series



## 5EHDR



**Pitch: 5.00mm**

Approval	  	
Technical Data	UL	IEC
Rated voltage	300V	250V
Rated current	15A	17.5A
Wire range		
Solid wire (AWG)		
Stranded wire (AWG/mm <sup>2</sup> )		
Rated surge voltage (UL/IEC/Max.)	1.6 / 2 / 4 KV	
Torque (Lb-in)		
Screw		
Wire strip length		
Pole	Cat. No.	
02	5EHDR-02P	
:	:	
:	:	
24	5EHDR-24P	