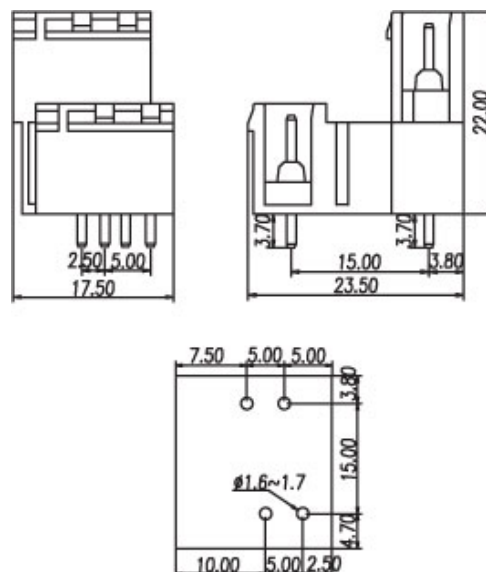
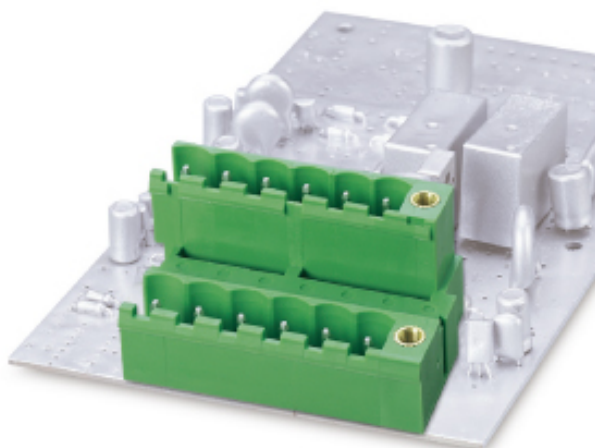


Headers(Sockets) for pluggable terminal blocks / ECH & EHD series



5EEHDVMR



Pitch: 5.00mm

Approval		
Technical Data	UL	IEC
Rated voltage	300V	250V
Rated current	15A	12A
Wire range		
Solid wire (AWG)		
Stranded wire (AWG/mm ²)		
Rated surge voltage (UL/IEC/Max.)	1.6 / / KV	
Torque (Lb-in)		
Screw		
Wire strip length		
Pole	Cat. No.	
2x2	5EEHDVMR-04P	
2x3	5EEHDVMR-06P	