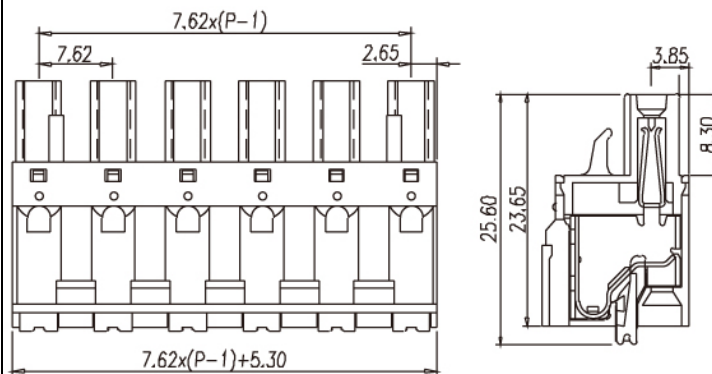
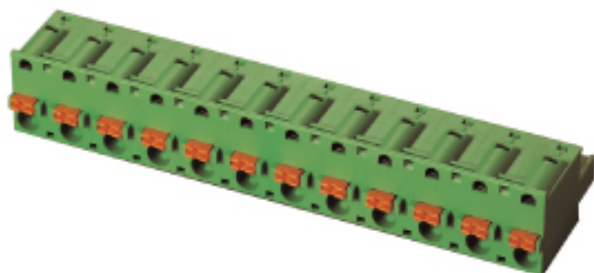




**3ESDSR**



**Pitch: 7.62mm**

Approval		
Technical Data	UL	IEC
Rated voltage	300V	
Rated current	15A	
Wire range		
Solid wire (AWG)	24~12	
Stranded wire (AWG/mm <sup>2</sup> )	24~12	
Rated surge voltage (UL/IEC/Max.)	1.6 / 2 / KV	
Torque (Lb-in)		
Screw		
Wire strip length	10~11mm	
Pole	Cat. No.	
02	3ESDSR-02P	
:	:	
:	:	
12	3ESDSR-12P	