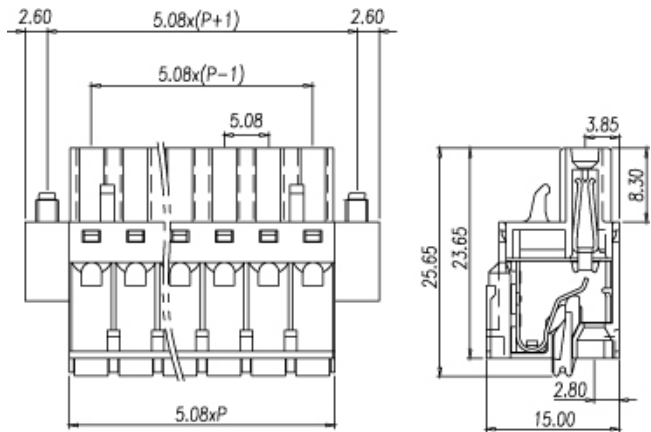
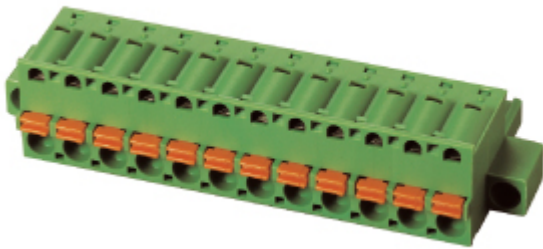


Plugs for pluggable terminal blocks / EC & ESD series



**2ESDSRM**



**Pitch: 5.08mm**

Approval		
Technical Data	UL	IEC
Rated voltage	300V	250V
Rated current	10A	12A
Wire range		2.5mm <sup>2</sup>
Solid wire (AWG)	26~12	
Stranded wire (AWG/mm <sup>2</sup> )	26~12	
Rated surge voltage (UL/IEC/Max.)	1.6 / 2 / KV	
Torque (Lb-in)		
Screw		
Wire strip length	10~11mm	
Pole	Cat. No.	
02	2ESDSRM-02P	
:	:	
:	:	
24	2ESDSRM-24P	

TEL: +886-2-2908-0614

FAX: +886-2-2908-8549

E-mail: [infor@dinkle.com.tw](mailto:infor@dinkle.com.tw)