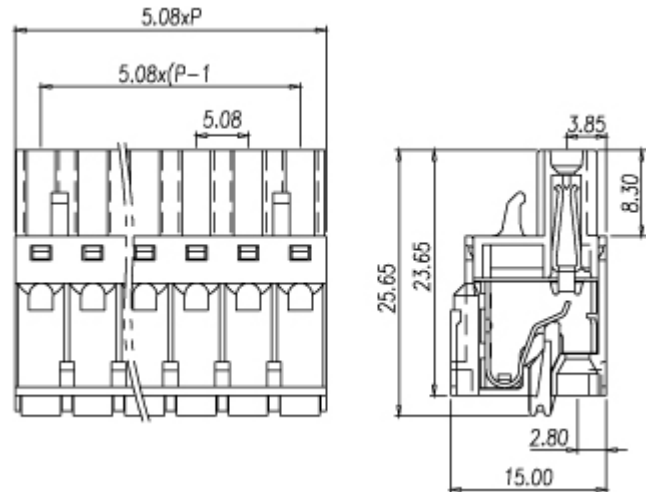
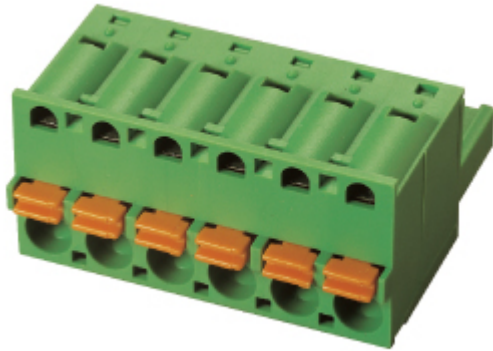


Plugs for pluggable terminal blocks / EC & ESD series



2ESDSR



Pitch: 5.08mm

Approval		
Technical Data	UL	IEC
Rated voltage	300V	250V
Rated current	10A	12A
Wire range		2.5mm ²
Solid wire (AWG)	26~12	
Stranded wire (AWG/mm ²)	26~12	
Rated surge voltage (UL/IEC/Max.)	1.6 / 2 / KV	
Torque (Lb-in)		
Screw		
Wire strip length	10~11mm	
Pole	Cat. No.	
02	2ESDSR-02P	
:	:	
:	:	
24	2ESDSR-24P	

TEL: +886-2-2908-0614

FAX: +886-2-2908-8549

E-mail: infor@dinkle.com.tw