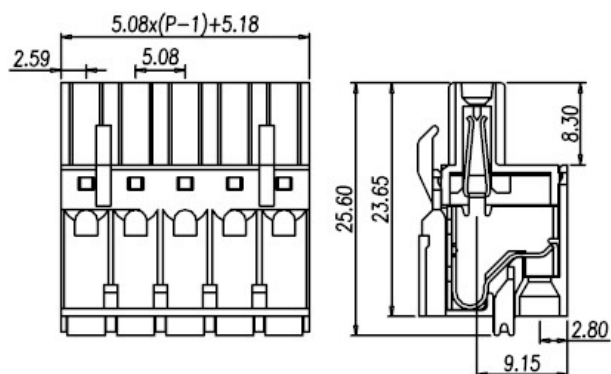
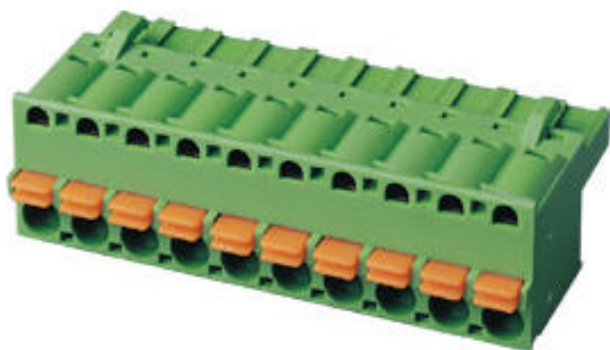



Spring plugs for pluggable terminal blocks / ESC & ESD series



2ESDS



Pitch: 5.08mm

Approval		
Technical Data	UL	IEC
Rated voltage	300V	250V
Rated current	10A	12A
Wire range		2.5mm ²
Solid wire (AWG)		
Stranded wire (AWG/mm ²)	24~12	
Rated surge voltage (UL/IEC/Max.)	1.6 / 2 / KV	
Torque (Lb-in)		
Screw		
Wire strip length	12~13mm	
Pole	Cat. No.	
02	2ESDS-02P	
:	:	
:	:	
24	2ESDS-24P	

TEL: +886-2-2908-0614

FAX: +886-2-2908-8549

E-mail: infor@dinkle.com.tw