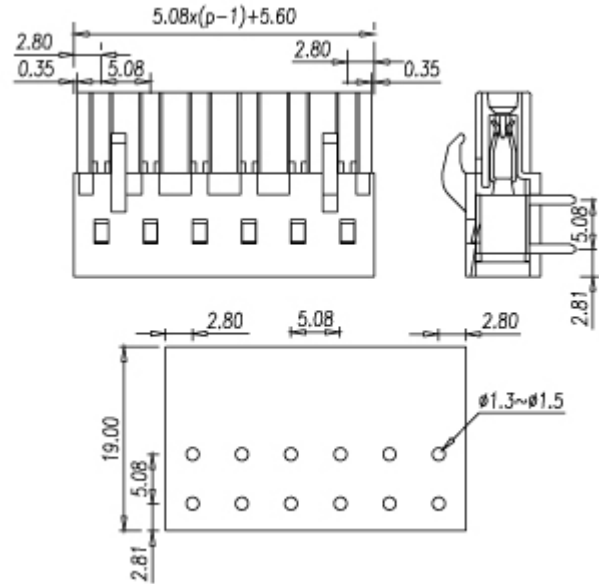
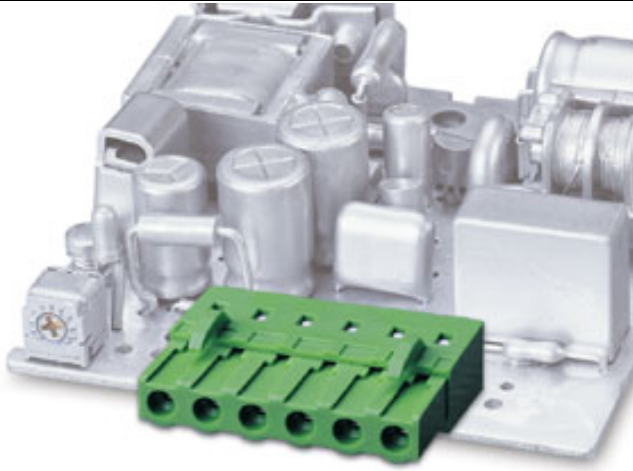


Headers(Sockets) for pluggable terminal blocks / ECH & EHD series



2ESDCR



Pitch: 5.08mm

Approval		
Technical Data	UL	IEC
Rated voltage	300V	250V
Rated current	12A	12A
Wire range		
Solid wire (AWG)		
Stranded wire (AWG/mm ²)		
Rated surge voltage (UL/IEC/Max.)	1.6 / 2 / 3 KV	
Torque (Lb-in)		
Screw		
Wire strip length		
Pole	Cat. No.	
02	2ESDCR-02P	
:	:	
:	:	
24	2ESDCR-24P	