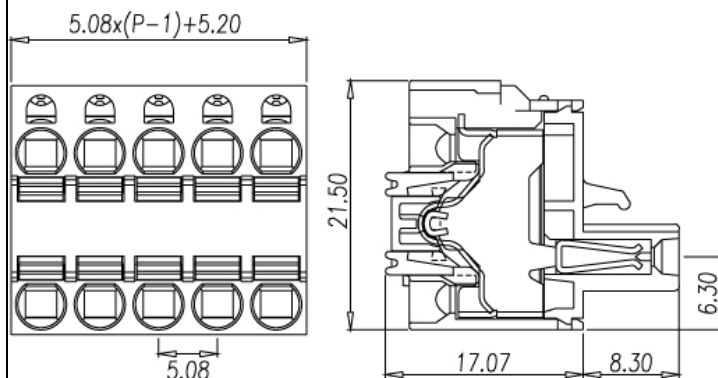
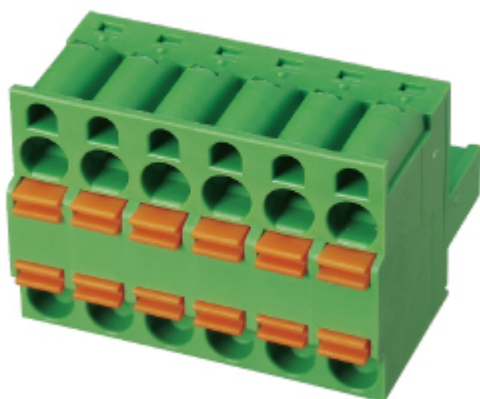




**2ESDBA**



**Pitch: 5.08mm**

Approval		
Technical Data	UL	IEC
Rated voltage	300V	250V
Rated current	12A	12A
Wire range		2.5mm <sup>2</sup>
Solid wire (AWG)	24~12	
Stranded wire (AWG/mm <sup>2</sup> )	24~12	
Rated surge voltage (UL/IEC/Max.)	1.6 / 2 / KV	
Torque (Lb-in)		
Screw		
Wire strip length	11~12mm	
Pole	Cat. No.	
02	2ESDBA-02P	
:	:	
:	:	
24	2ESDBA-24P	