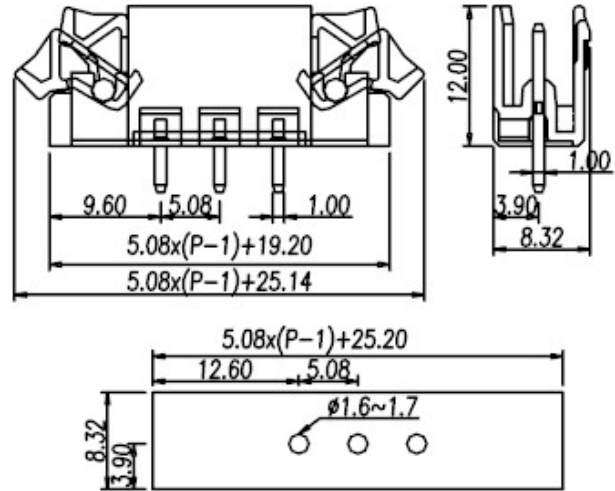



Headers(Sockets) for pluggable terminal blocks / ECH & EHD series



2EHDVL



Pitch: 5.08mm

| Approval |  | |
|--------------------------------------|--|------|
| Technical Data | UL | IEC |
| Rated voltage | 300V | 250V |
| Rated current | 15A | 12A |
| Wire range | | |
| Solid wire (AWG) | | |
| Stranded wire (AWG/mm ²) | | |
| Rated surge voltage (UL/IEC/Max.) | 1.6 / 2 / KV | |
| Torque (Lb-in) | | |
| Screw | | |
| Wire strip length | | |
| Pole | Cat. No. | |
| 02 | 2EHDVL-02P | |
| : | : | |
| : | : | |
| 22 | 2EHDVL-22P | |