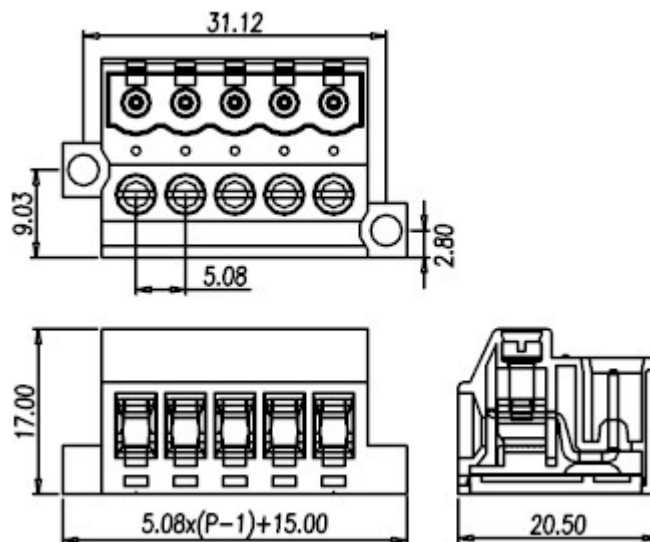
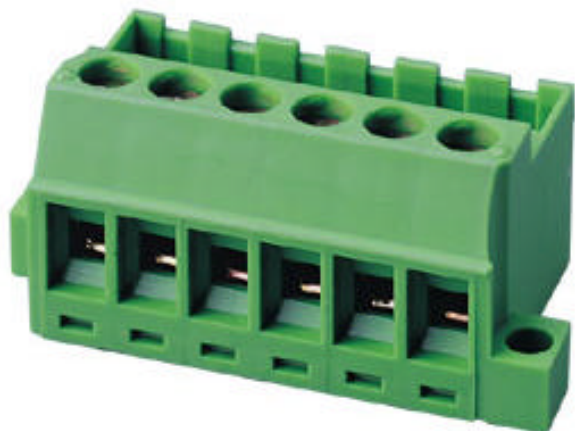


# Headers(Sockets) for pluggable terminal blocks / ECH & EHD series



## 2EHDRS



**Pitch: 5.08mm**

Approval		
Technical Data	UL	IEC
Rated voltage	300V	250V
Rated current	12A	12A
Wire range		2.5mm <sup>2</sup>
Solid wire (AWG)	24~12	
Stranded wire (AWG/mm <sup>2</sup> )	24~12	
Rated surge voltage (UL/IEC/Max.)	1.6 / 2 / 4 KV	
Torque (Lb-in)	5	
Screw	M2.5	
Wire strip length	7~8mm	
Pole	Cat. No.	
02	2EHDRS-02P	
:	:	
:	:	
20	2EHDRS-20P	