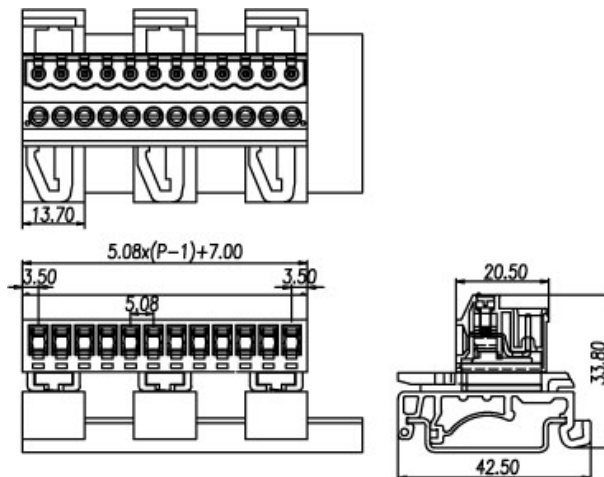
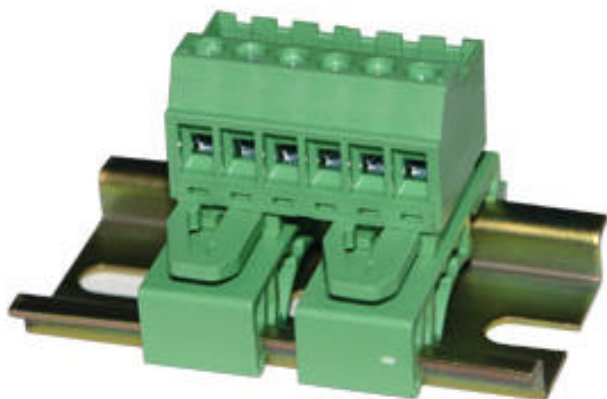


Headers(Sockets) for pluggable terminal blocks / ECH & EHD series



2EHDRD



Pitch: 5.08mm

Approval		
Technical Data	UL	IEC
Rated voltage	300V	250V
Rated current	12A	12A
Wire range	2.5mm ²	
Solid wire (AWG)	24~12	
Stranded wire (AWG/mm ²)	24~12	
Rated surge voltage (UL/IEC/Max.)	1.6 / 2 / 4 KV	
Torque (Lb-in)	5	
Screw	M2.5	
Wire strip length	7~8mm	
Pole	Cat. No.	
05	2EHDRD-05P	
:	:	
:	:	
20	2EHDRD-20P	