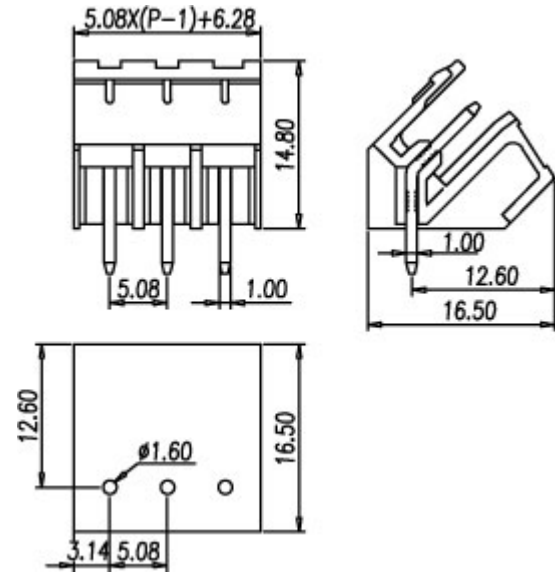
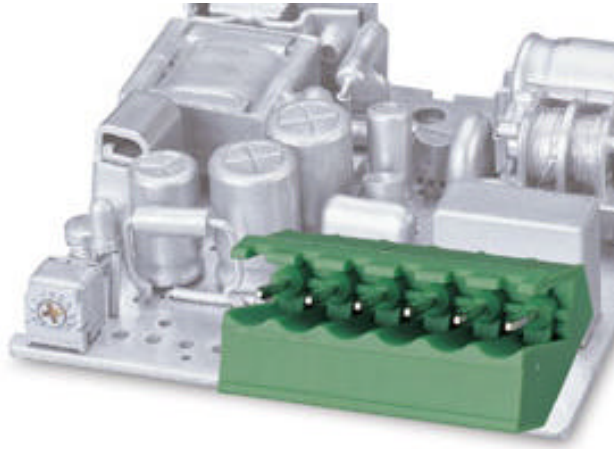


Headers(Socket) for pluggable terminal blocks / ECH & EHD series



2EHDA



Pitch: 5.08mm

Approval		
Technical Data	UL	IEC
Rated voltage	300V	250V
Rated current	15A	12A
Wire range		
Solid wire (AWG)		
Stranded wire (AWG/mm ²)		
Rated surge voltage (UL/IEC/Max.)		
Torque (Lb-in)		
Screw		
Wire strip length		
Pole	Cat. No.	
02	2EHDA-02P	
:	:	
:	:	
24	2EHDA-24P	