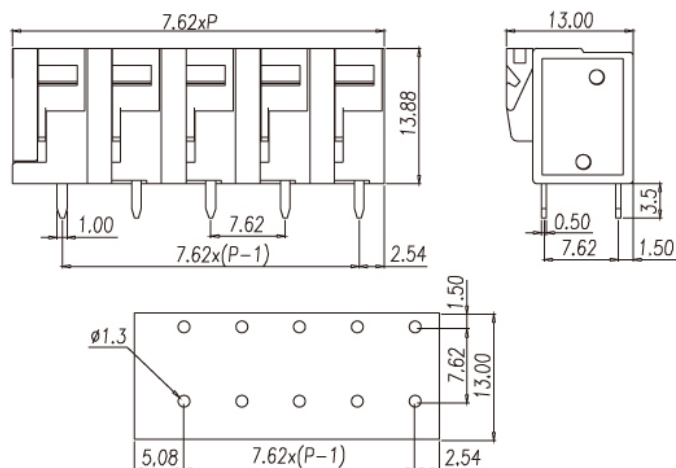
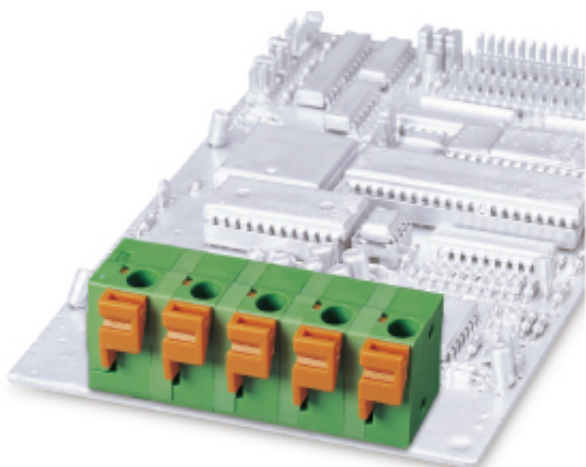







142V-..P3



Pitch: 7.62mm

Approval	  	
Technical Data	UL	IEC
Rated voltage	300V	750V
Rated current	10A	17.5A
Wire range		1.5mm ²
Solid wire (AWG)	22~14	
Stranded wire (AWG/mm ²)	22~14	
Rated surge voltage (UL/IEC/Max.)	1.6 / 3 / 4 KV	
Torque (Lb-in)		
Screw		
Wire strip length	6~7mm	
Pole	Cat. No.	
02	142V-02P3	
:	:	
:	:	
24	142V-24P3	