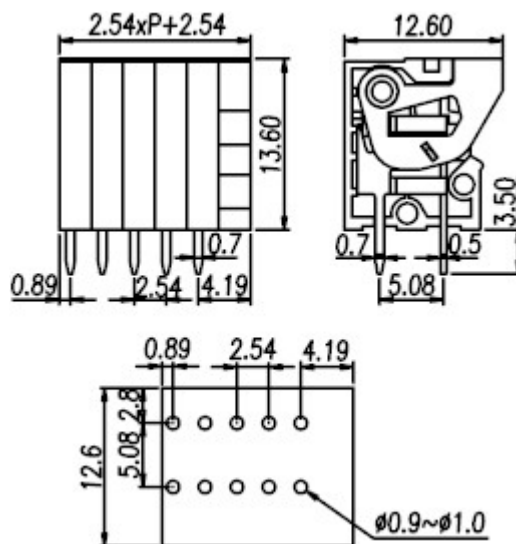
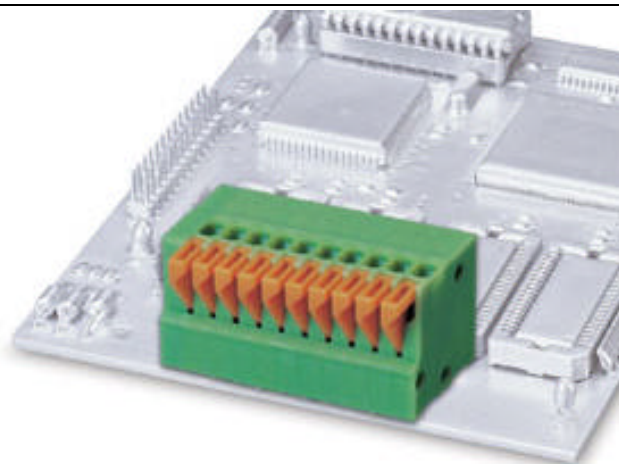


Mini type, simple type cage clamp terminal blocks / 141 series



141V



Pitch: 2.54mm

Approval		
Technical Data	UL	IEC
Rated voltage	150V	130V
Rated current	2A	4A
Wire range		0.5mm ²
Solid wire (AWG)	26~20	
Stranded wire (AWG/mm ²)	26~20	
Rated surge voltage (UL/IEC/Max.)	1.3 / 1.25 / 2 KV	
Torque (Lb-in)		
Screw		
Wire strip length	9~10mm	
Pole	Cat. No.	
02	141V-02P	
:	:	
:	:	
24	141V-24P	