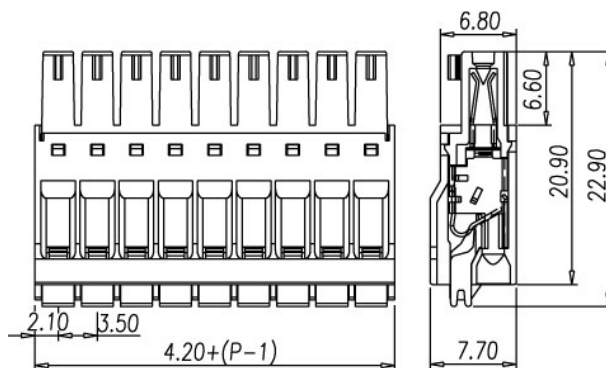
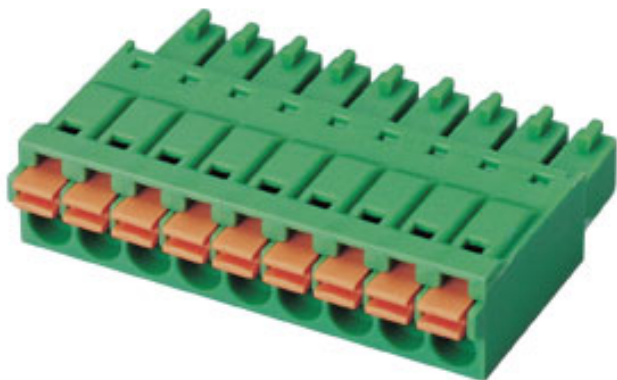




## 0221-20XX



**Pitch: 3.50mm**

| Approval                             |                    |      |
|--------------------------------------|--------------------|------|
| Technical Data                       | UL                 | IEC  |
| Rated voltage                        | 300V               | 250V |
| Rated current                        | 8A                 | 6A   |
| Wire range                           | 1.0mm <sup>2</sup> |      |
| Solid wire (AWG)                     | 24~16              |      |
| Stranded wire (AWG/mm <sup>2</sup> ) | 24~16              |      |
| Rated surge voltage (UL/IEC/Max.)    | 1.6 / 2 / KV       |      |
| Torque (Lb-in)                       |                    |      |
| Screw                                |                    |      |
| Wire strip length                    | 10mm               |      |
| Pole                                 | Cat. No.           |      |
| 02                                   | 0221-2002          |      |
| :                                    | :                  |      |
| :                                    | :                  |      |
| 20                                   | 0221-2020          |      |