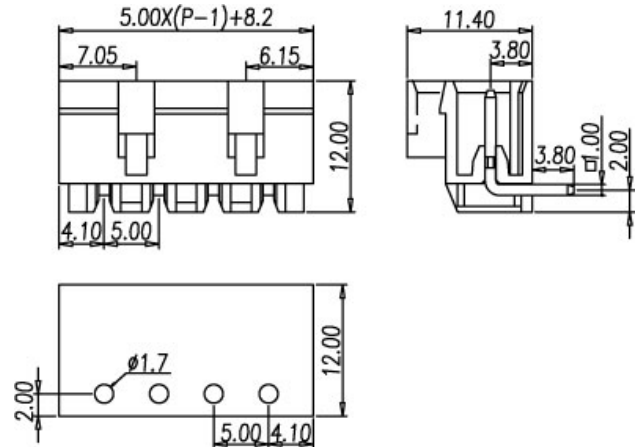
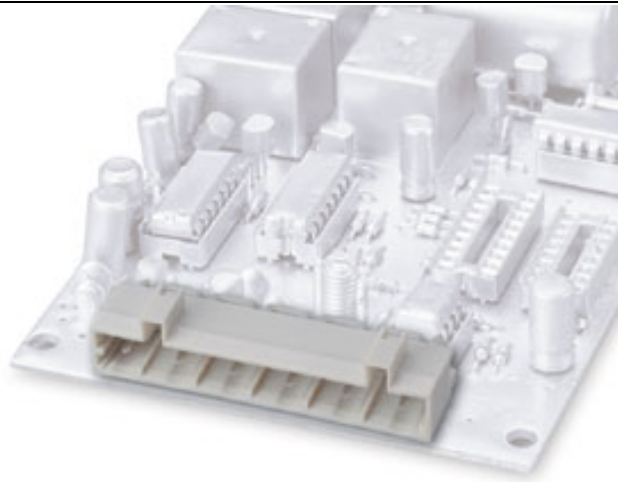



# Headers(Sockets) for polarization / 0135 series



## 0135-17



**Pitch: 5.00mm**

Approval		
Technical Data	UL	IEC
Rated voltage	300V	250V
Rated current	15A	12A
Wire range		
Solid wire (AWG)		
Stranded wire (AWG/mm <sup>2</sup> )		
Rated surge voltage (UL/IEC/Max.)	1.6 / 2 / KV	
Torque (Lb-in)		
Screw		
Wire strip length		
Pole	Cat. No.	
02	0135-1702	
:	:	
:	:	
25	0135-1725	