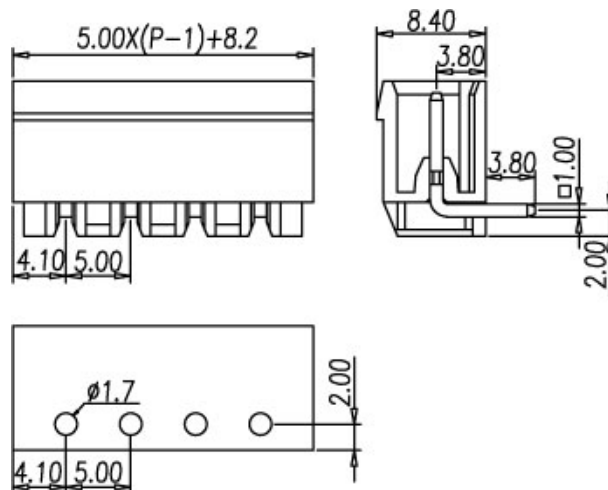
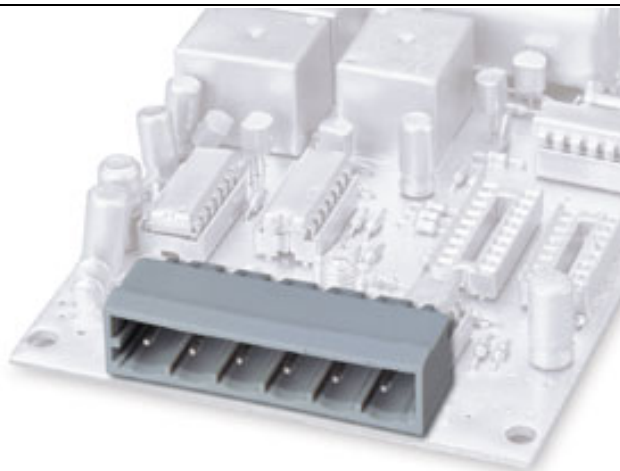


Headers(Sockets) for polarization / 0135 series



0135-11



Pitch: 5.00mm

Approval	UL	
Technical Data	UL	IEC
Rated voltage	300V	250V
Rated current	15A	12A
Wire range		
Solid wire (AWG)		
Stranded wire (AWG/mm ²)		
Rated surge voltage (UL/IEC/Max.)	1.6 / 2 / KV	
Torque (Lb-in)		
Screw		
Wire strip length		
Pole	Cat. No.	
02	0135-1102	
:	:	
:	:	
25	0135-1125	