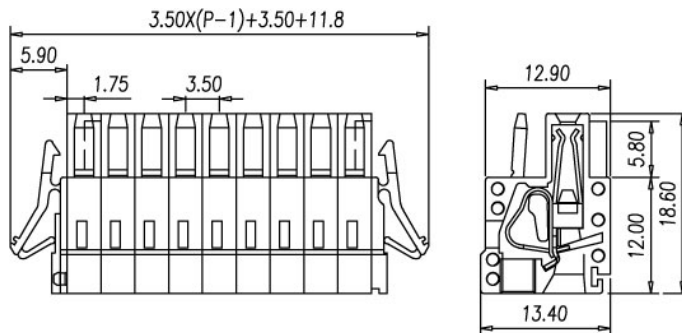
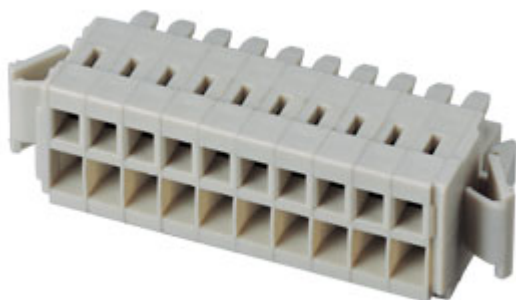



# Spring plugs for pluggable terminal blocks / 0134 series



**0134-40**



**Pitch: 3.50mm**

Approval		
Technical Data	UL	IEC
Rated voltage	300V	130V
Rated current	10A	10A
Wire range		
Solid wire (AWG)	28~14	
Stranded wire (AWG/mm <sup>2</sup> )		
Rated surge voltage (UL/IEC/Max.)	1.6 / 1.25 / KV	
Torque (Lb-in)		
Screw		
Wire strip length	8~9mm	
Pole	Cat. No.	
01	0134-4001	
02	0134-4002	
03	0134-4003	
:	:	