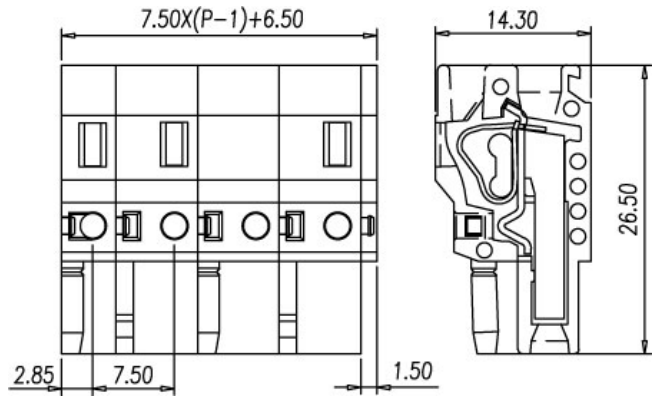
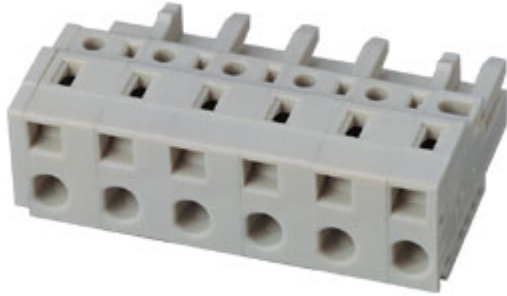




0134-32



Pitch: 7.50mm

| Approval | | |
|--------------------------------------|----------------|--------------------|
| Technical Data | UL | IEC |
| Rated voltage | 300V | 450V |
| Rated current | 15A | 12A |
| Wire range | | 1.5mm ² |
| Solid wire (AWG) | 26~14 | |
| Stranded wire (AWG/mm ²) | | |
| Rated surge voltage (UL/IEC/Max.) | 1.6 / 2.5 / KV | |
| Torque (Lb-in) | | |
| Screw | | |
| Wire strip length | 10~11mm | |
| Pole | Cat. No. | |
| 01 | 0134-3201 | |
| 02 | 0134-3202 | |
| 03 | 0134-3203 | |
| : | : | |