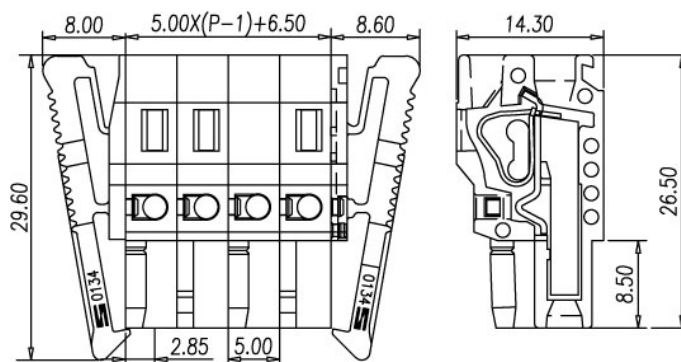
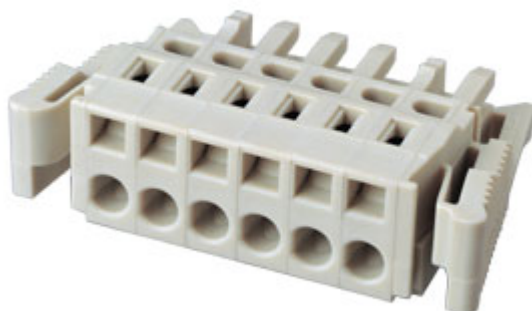





## 0134-14



**Pitch: 5.00mm**

Approval		
Technical Data	UL	IEC
Rated voltage	300V	250V
Rated current	15A	12A
Wire range		1.5mm <sup>2</sup>
Solid wire (AWG)	26~14	
Stranded wire (AWG/mm <sup>2</sup> )		
Rated surge voltage (UL/IEC/Max.)	1.6 / 2 / KV	
Torque (Lb-in)		
Screw		
Wire strip length	10~11mm	
Pole	Cat. No.	
01	0134-1401	
02	0134-1402	
03	0134-1403	
:	:	