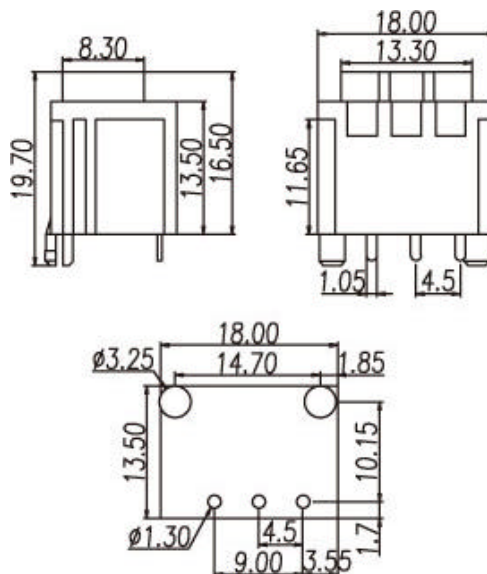
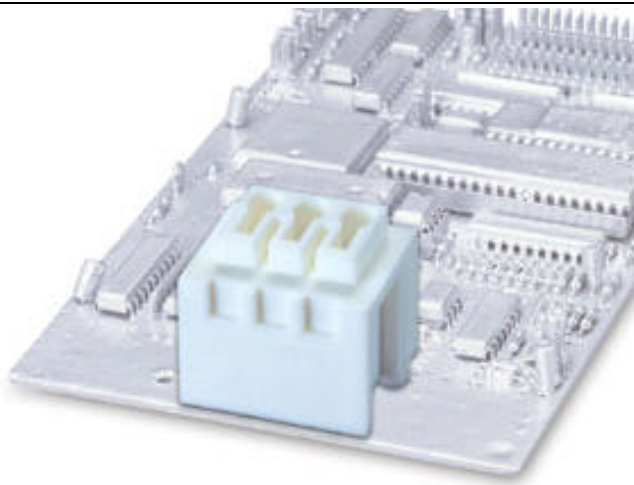


Mini type, simple type cage clamp terminal blocks / 141 series



0032-0503V



Pitch: 4.50mm

Approval		
Technical Data	UL	IEC
Rated voltage	300V	250V
Rated current	10A	10A
Wire range		1.5mm ²
Solid wire (AWG)	22~14	
Stranded wire (AWG/mm ²)		
Rated surge voltage (UL/IEC/Max.)		
Torque (Lb-in)		
Wire strip length		
End Cover		
Pole	Cat. No.	
03	0032-0503V	