

PCB Terminal Strips 0.5 mm²/AWG 20 Pin Spacings 2.5 mm/0.098 in und 2.54 mm/0.1 in Series 233 and 234



<p>Pin spacing 2.5 mm/0.098 in Pin spacing 2.54 mm/0.1 in 0.08 – 0.5 mm² ② AWG 28 – 20 ② 250 V/2.5 kV/2 150 V, 4 A ② ③ I_N 6 A 5 – 6 mm / 0.22 in ① Approvals</p>	<p>Pin spacing 2.5 mm/0.098 in Pin spacing 2.54 mm/0.1 in 0.08 – 0.5 mm² ② AWG 28 – 20 ② 250 V/2.5 kV/2 150 V, 4 A ② ③ I_N 6 A 5 – 6 mm / 0.22 in ① Approvals</p>	<p>Pin spacing 2.5 mm/0.098 in Pin spacing 2.54 mm/0.1 in 0.08 – 0.5 mm² ② AWG 28 – 20 ② 250 V/2.5 kV/2 150 V, 4 A ② ③ I_N 6 A 5 – 6 mm / 0.22 in ① Approvals</p>
--	--	--

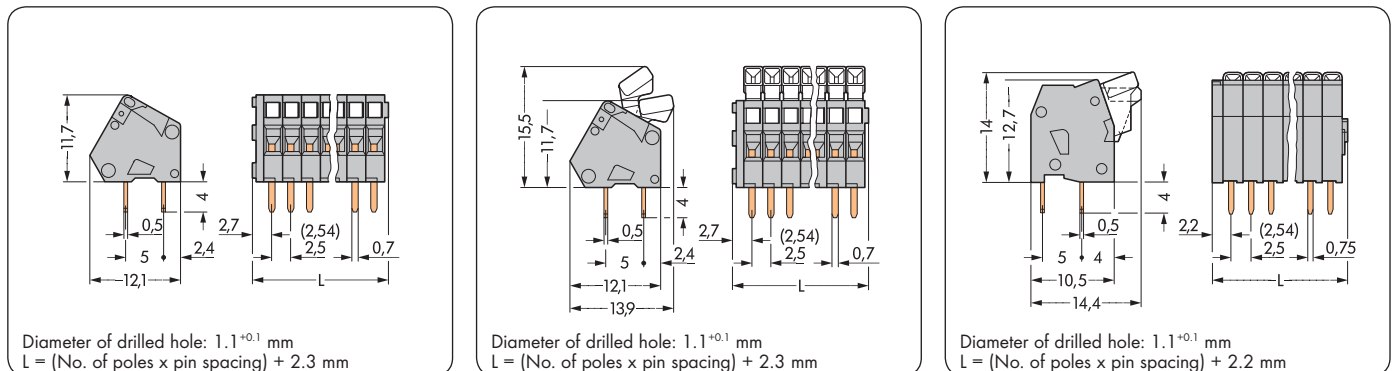


No. of poles	Item No.	Item No.	No. of poles	Item No.	Item No.	No. of poles	Item No.	Item No.
Terminal strip, standard length, for other lengths contact factory, 2 solder pins/pole			Terminal strip with push buttons, standard length, for other lengths contact factory, 2 solder pins/pole			Terminal strip with push buttons, standard length, for other lengths contact factory, 2 solder pins/pole		
Pin spacing	2.5mm/0.098in	2.54 mm/0.1 in	Pin spacing	2.5mm/0.098in	2.54 mm/0.1 in	Pin spacing	2.5mm/0.098in	2.54 mm/0.1 in
	gray	orange		gray	orange		gray	orange
2	233-102	233-402	2	233-202	233-502	2	234-202	234-502
3	233-103	233-403	3	233-203	233-503	3	234-203	234-503
4	233-104	233-404	4	233-204	233-504	4	234-204	234-504
5	233-105	233-405	5	233-205	233-505	5	234-205	234-505
6	233-106	233-406	6	233-206	233-506	6	234-206	234-506
7	233-107	233-407	7	233-207	233-507	7	234-207	234-507
8	233-108	233-408	8	233-208	233-508	8	234-208	234-508
9	233-109	233-409	9	233-209	233-509	9	234-209	234-509
10	233-110	233-410	10	233-210	233-510	10	234-210	234-510
12	233-112	233-412	12	233-212	233-512	12	234-212	234-512
16	233-116	233-416	16	233-216	233-516	16	234-216	234-516
24	233-124	233-424	24	233-224	233-524	24	234-224	234-524
Terminal strips without push-buttons cannot be retrofitted with push-buttons!			Other colors on request			Other colors on request		

Accessories, Series 233 and 234

<p>Marker cards, 100 self-adhesive strips per card</p>	<p>Operating tool, for a professional wiring of terminal strips partially insulated 233-335 of insulating material 233-332</p>												
<table border="1"> <thead> <tr> <th>Marking</th> <th>Pin spacing 2.5 mm/0.098 in</th> <th>Pin spacing 2.54 mm/0.1 in</th> </tr> </thead> <tbody> <tr> <td>1-16 (400 x)</td> <td>210-331/0250-0202</td> <td>210-331/0254-0202</td> </tr> <tr> <td>17-32 (400 x)</td> <td>210-331/0250-0204</td> <td>210-331/0254-0204</td> </tr> <tr> <td>33-48 (400 x)</td> <td>210-331/0250-0206</td> <td>210-331/0254-0206</td> </tr> </tbody> </table>	Marking	Pin spacing 2.5 mm/0.098 in	Pin spacing 2.54 mm/0.1 in	1-16 (400 x)	210-331/0250-0202	210-331/0254-0202	17-32 (400 x)	210-331/0250-0204	210-331/0254-0204	33-48 (400 x)	210-331/0250-0206	210-331/0254-0206	<p>Operating tool, with partially insulated shaft (2.5 x 0.4) mm/(0.098 x 0.016) in 210-719</p>
Marking	Pin spacing 2.5 mm/0.098 in	Pin spacing 2.54 mm/0.1 in											
1-16 (400 x)	210-331/0250-0202	210-331/0254-0202											
17-32 (400 x)	210-331/0250-0204	210-331/0254-0204											
33-48 (400 x)	210-331/0250-0206	210-331/0254-0206											
Direct printing on request													

Dimensions (in mm)



① Approvals are available online at: www.wago.com.
For technical explanations and abbreviations, see technical section.

② in adjacent positions 0.75 mm²/AWG 18