

# multimec® 3F/4F + 1N

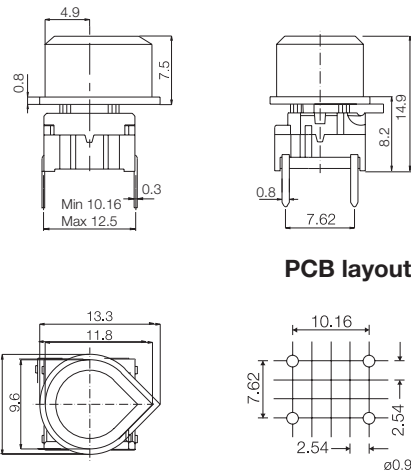
## Technical Data

- through-hole or SMD
- 50mA/24VDC
- single pole/momentary
- 10.000.000 operations life time
- IP67 sealing
- temperature range:
  - low temp: -40/+115°C
  - high temp: -40/+160°C

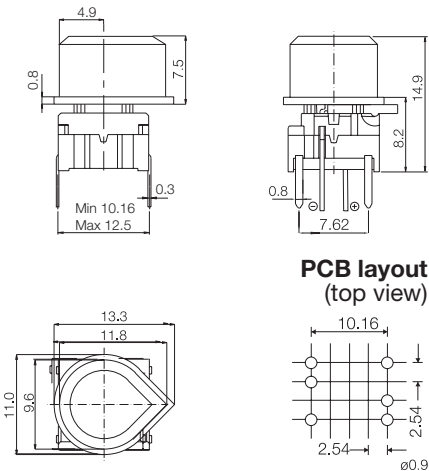
Keycaps shown on this page can also be used on **illumec™ switch 4F**



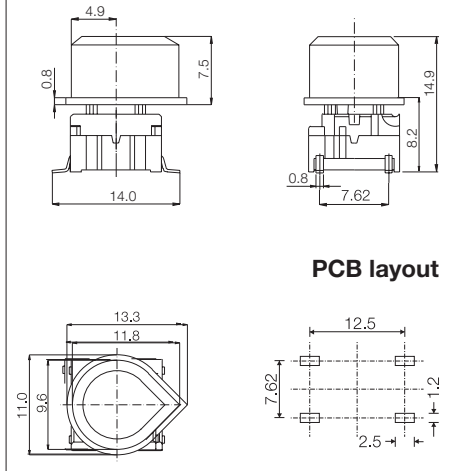
### Dimensions (through-hole) 3F



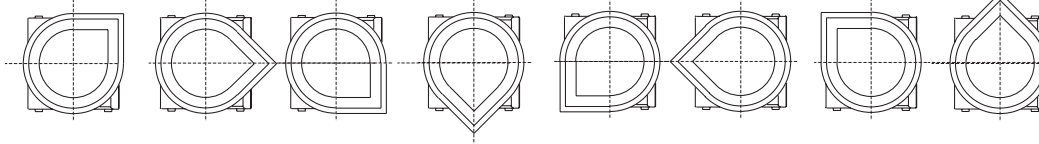
### Dimensions (w/LED) 3F



### Dimensions (SMD) 3F



### 8 different position options



### How to order

<b>3 F</b>	<input type="checkbox"/>	<input type="checkbox"/>	+	<b>1 N</b>	<input type="checkbox"/>
Switch	<b>Mounting</b> T through-hole S surface mount	<b>L 6</b> low temp. <b>H 9</b> high temp.		<b>Cap</b> 	<b>00</b> blue <b>03</b> grey <b>04</b> yellow <b>08</b> red <b>09</b> black

<b>3 F</b>	<b>T</b>	<input type="checkbox"/>	<input type="checkbox"/>	+	<b>1 N</b>	<input type="checkbox"/>
Switch	<b>Mounting</b> T through-hole	<b>L 6</b> low temp. <b>H 9</b> high temp.	<b>LED</b> <b>00</b> blue <b>20</b> green <b>40</b> yellow <b>60</b> white <b>80</b> red <b>2040</b> green/yellow <b>8020</b> red/green <b>8040</b> red/yellow	<b>Cap</b> 	<b>10</b> frosted blue <b>12</b> frosted green <b>14</b> frosted yellow <b>16</b> frosted white <b>18</b> frosted red	

Ordering example: 3FTL6 + 1N09 or 3FTL680 + 1N18

For updates of products and/or changes of specifications please see [www.mec.dk](http://www.mec.dk)